



# THE FRANKFORD RADIO CLUB NEWSLETTER

*PROFICIENCY THROUGH COMPETITION*

## CALENDAR

### October 2002:

- 5-6 Oceania DX Test, SSB
- 5-6 California QSO Party
- 8 FRC Meeting, KofP, 8 PM**
- 8 Rxy's Meeting B (p. 2)**
- 12-13 PA QSO Party
- 12-13 Oceania DX Test, CW
- 17 T.I.T.S. Meeting, Noon (p. 2)**
- 22 Rxy's Meeting B, 8 PM**
- 26-27 CQWW SSB DX Test**

### November 2002:

- 2-3 ARRL Sweepstakes, CW
- 9-10 European DX Test, RTTY
- 12 FRC Meeting, KofP, 8 PM**
- 16-18 ARRL Sweepstakes, SSB
- 23-24 CQWW CW DX Test**

### February 2003:

- 15-16 ARRL CW DX Test**

### March 2003:

- 1-2 ARRL SSB DX Test**

## CHANGES

Email change

**KQ3F**

kq3f@comcast.net

## IMPORTANT MEETING CHANGE NOTICE!!!

Beginning with the meeting on Tuesday, October 8, the main **FRC** monthly meetings will be held at **the Firehouse in King of Prussia**. The meetings will start at 8:00 with food and drink available prior to the start.



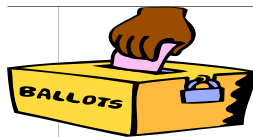
### Directions from PA Turnpike Exit 24 (Valley Forge):

Pay toll and take 3rd (no more than 1/8th mile) ramp (**RT 202 N**)  
Go to 4th light (McDonald's on right) and turn **LEFT** onto **ALLENDALE ROAD**

Stay in right lane and just past small strip mall on the right is a **DOME** building. Next driveway is the firehouse. Turn right and follow around **SLOWLY** past firehouse to parking in the rear.

More meetings on Page 2

## FRC member running for Atlantic Division Director



Tony, **N2SS**, **FRC** member and DX column editor, is running for Atlantic Division Director. Ballots will be received in early October and Tony would appreciate the support of all **FRC** members.

## FRC DXPeditions for CQWW SSB

**P40W** by **W2GD** SOAB LP. Some CW activity Tuesday—Friday before the contest. (QSL via **N2MM**)

**VP5T** will be at Jody's, **VP5JM**'s place on Providenciales (NA002), Turks and Caicos. Ops: Frank, **WA2VYA** and Jack, **N2VW** in the new Multi-2 category. QSL to **N2VW** direct or via bureau. They will be on the island from 22 to 29 Oct. CW, WARC and 6 Meters before and after the contest using **VP5/** Homecall. QSL to homecall.

**WP2Z** multi-multi with ops - **K3OO**, **K3NZ** and **N2TK**.

## President's Column



Contest season is here! **N3BNA**, **K3ZV**, **W2OX** and **W3FV** work on my tower to get it ready for business. Dale is on the mast sawing off an old Quad hub and Barry is working below him installing new coax for the yagi. I am indebted to all these guys. If not for them I would not be able to contribute from home. **ARE YOU READY?** We have six million plus points to make up. **WE CAN DO IT!** We have 2 weeks until the PA QSO Party and a chance to shake down the station to insure everything is working and in good shape. CQWW Phone follows at the end of the month. If we all pull in the same direction we **WILL** beat those pirates from the north. Now is the time to remind the YL that you **WILL** be busy on the radio that weekend and for her to schedule her things around yours. Let's concentrate on these two contests (CQ Phone and CW) as we do not know what the future will bring

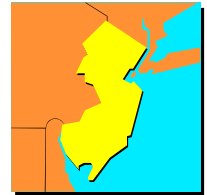
in the spring. If we focus on one contest at a time we can maximize our efforts. Our neighbors to the north have a numerical and geographical advantage. Man for man we are better operators. That is a **FACT**. You can look it up. We need to insure we get as many ops on the air and seriously contesting for these two weekends as we can. **BE THERE, BE LOUD, BEAT YCCC!**

The October meeting at the Firehouse will concentrate on CQ Contest strategy and a question and answer session to make sure we are all on the same page. The meeting will start at 8 PM with dinner beginning at 6 PM. I hope to see you there.

God Bless,  
Doug **W3CF**

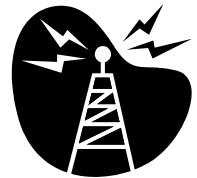
### Rexy Meeting B

The Rexy's **FRC Meeting B** meets after the main **FRC** meeting on the second Tuesday of each month, and at about 8 PM on the fourth Tuesday of each month



### T.I.T.S. meeting

Meetings of the Trexlertown International Transmitting Society (T.I.T.S.) are held every month at 12 noon on the third Thursday (October 17). The location is the Pied Piper Diner, on PA 222 between PA 309 and PA 100, Trexlertown, PA. The Diner is across the street from the main entrance to Air Products and Chemicals, Inc.



### NYC FRC Meeting

November 13th, 2002 7pm - 8:30pm in NYC Location to be announced. It is going to be an informal meeting with hams in NYC area.



## FRC 2001-2002 Contest Score Recap and Ranking

Rank	Call sign	CQ SSB	CQ CW	ARRL SSB	ARRL CW	Total
1	<b>K3WW</b>	7620998	6154510	5265564	7171464	26212536
2	<b>W2GD</b>	8218792	10872540	3041940	3997728	26131000
3	<b>KQ2M</b>	8190448	5957184	6644128	4338812	25130572
4	<b>N2NT</b>	7081710	6462900	4880418	1711461	20136489
5	<b>AA3B</b>	4101705	8308176	2510424	4453134	19373439
6	<b>K2NG</b>	4955534	5148944	1971928	5350800	17427206
7	<b>N2MM</b>	4200000	4417520	2874234	5486320	16978074
8	<b>W3BGN</b>	4572876	3906040	3693060	4270312	16442288
9	<b>AA1K</b>	2570084	4260810	3997695	5283792	16112381
10	<b>W3PP</b>	1785464	9780000	1892366	2380272	15838102
11	<b>W2OX</b>	5731212	1581000	5126784	2837538	15276534
12	<b>N2RM</b>	3977500	1779386	4451070	3422922	13630878
13	<b>KQ3F</b>	3717560	3388080	2141432	4361778	13608850
14	<b>N3AD</b>	3191476	5537542		4758432	13487450
15	<b>N2LT</b>	1871232	3971904	2453016	4248552	12544704
16	<b>W1GD</b>	4053582	2400176	3061632	2626680	12142070
17	<b>W3FV</b>	3084192	3181140	2112468	3607590	11985390
18	<b>N3RS</b>	4918318	3364612		3624664	11907594
19	<b>N2ED</b>	2900000	3032200	1823808	4057200	11813208
20	<b>K3NM</b>	2911490	2184854	3025378	2762578	10884300
21	<b>NO2R</b>	2339594	2421147	1971928	3541494	10274163
22	<b>K2DM</b>	1776232	3568240	3415167	1386924	10146563
23	<b>K2TW</b>	1988750	3422528	1971928	2135156	9518362
24	<b>W2UP</b>		5248672	432216	3576940	9257828
25	<b>K2QM</b>	1771524	3470000	2326005	1639340	9206869
26	<b>N2TK</b>	2900000	626236		4595805	8122041
27	<b>W2CG</b>	2471560	1756860	1390886	2498184	8117490
28	<b>LU9AY</b>	1455745	2082000	1512689	2962440	8012874
29	<b>N3ED</b>	2459159	1682306	2017268	1812332	7971065
30	<b>N3RD</b>	2459159	2634775	1001268	1812332	7907534
31	<b>WM2H</b>	1988750	1779386	2225535	1711461	7705132
32	<b>N2NC</b>	1988750	1779386	2225535	1711461	7705132
33	<b>WA2VYA</b>	4104893	1128100		2116296	7349289
34	<b>WW2Y</b>	1771524	3625580		1853333	7250437
35	<b>K3II</b>	2541352	2615252	834957	1076376	7067937
36	<b>K3NZ</b>	2415540	2095016	1020084	1468832	6999472
37	<b>K3ANS</b>	2176037		2315668	2394533	6886238
38	<b>NE3F</b>	1885868	1454562	1211190	2004156	6555776
39	<b>W2EN</b>	2339594	2260848	695443	1249092	6544977
40	<b>NA2U</b>	2938326	1917257	1244608	305760	6405951
41	<b>K3MD</b>	680012	1711232	1401124	2571400	6363768
42	<b>W2NO</b>	2471560	1756860	695443	1249092	6172955
43	<b>W2RQ</b>	2595720	1779386		1711461	6086567
44	<b>K3PP</b>	3508288	175492	2128896	213918	6026594
45	<b>WE3C</b>			4852512	822312	5674824
46	<b>K3TEJ</b>	1270676	4337260			5607936
47	<b>K3OO</b>	1777432	1629236	1642256	556480	5605404
48	<b>KQ3V</b>	744444		4852512		5596956
49	<b>N2AA</b>	1988750	1779386		1711461	5479597
50	<b>W3CF</b>	1455745	1092427	1505764	1381289	5435225

## FRC 2001-2002 Contest Score Recap and Ranking

Rank	Call sign	CQ SSB	CQ CW	ARRL SSB	ARRL CW	Total
51	N2WKS	1491388	1475082	1505764	814725	5286959
52	N2MR	1668028	850914	1323090	1365525	5207557
53	N2NU	3543048	1656810			5199858
54	N3BNA	2900000	1475082		814725	5189807
55	W6XR		1917257		3265542	5182799
56	N3ZA	1741256	553150	1502592	1347102	5144100
57	W2YC	2158065		1134174	1760385	5052624
58	WK2G	1988750	1779386		1235520	5003656
59	K3ZV	787906	1092427	1688189	1381289	4949811
60	K2WB	4104893		829614		4934507
61	N2VW	4104893		571590	192672	4869155
62	K3IPK	845650	1092427	1512689	1381289	4832055
63	K2NJ	816014	1074890		2940636	4831540
64	N3DL	1677128	1260272	1800000	60000	4797400
65	W8FJ	334062	1682306	750288	1949216	4715872
66	K3PH		2670380		1890264	4560644
67	K3ND	1776114	1756244	872331		4404689
68	W3AP		1603982	687750	2077152	4368884
69	K2PS	3870216		375748		4245964
70	AA2WN		1092427	1134174	1760385	3986986
71	WT3W	1921680	178500	1187298	614440	3901918
72	W2UDT	2900000	53020	530640	409050	3892710
73	W3MF	1824480		2066112		3890592
74	W2REH	1988750	1779386			3768136
75	K2WI				3706666	3706666
76	WA2C	2900000	705074			3605074
77	K3JG	1583748	1054039	311800	651630	3601217
78	K3CT	1270676	1307626	834957	131262	3544521
79	N1RK	1922714		1615224		3537938
80	N2SR		1682306		1812332	3494638
81	N2BA	600000	2883120			3483120
82	W2RD	680017	542629	1863936	380608	3467190
83	WT3P	1326576	1041996		1080900	3449472
84	K3BU	600000	2768771			3368771
85	K3ATO	942934	727281	605595	1002078	3277888
86	KS3F	892732	727281	605595	1002078	3227686
87	N3KR	807380	759000	679000	890664	3136044
88	N2SS	1772594	979524	358016		3110134
89	N3PT	892732		946183	1190136	3029051
90	K3FT	892732		946183	1190136	3029051
91	WF3H	816014	1307626		897949	3021589
92	KB3MM	609000	885348	406980	1108932	3010260
93	W2LE	907820	1005770		1087536	3001126
94	W2TV	1618720		1293774		2912494
95	WT3Q	2900000				2900000
96	N5NJ	2900000				2900000
98	W3OV	1122240	1322250		358146	2802636
99	W3ZL	45334	1545588	1157834		2748756
100	NN3Q			1105628	1534996	2640624

## FRC 2001-2002 Contest Score Recap and Ranking

Rank	Call sign	CQ SSB	CQ CW	ARRL SSB	ARRL CW	Total
101	<b>W3BYX</b>	521730	657000	644000	810558	2633288
102	<b>N2CY</b>	448260		951966	1209786	2610012
103	<b>N3RJ</b>	878920	544752	455716	727920	2607308
104	<b>K3OOO</b>	1777432		821128		2598560
105	<b>W3RJ</b>	1117950	436876	725604	195858	2476288
106	<b>W3MM</b>		1092427		1381289	2473716
107	<b>N3MT</b>				2379216	2379216
108	<b>WB3CIW</b>	1328000		1023760		2351760
109	<b>N3NA</b>	1230030	1078140			2308170
110	<b>KB3FEE</b>	1285042		946183		2231225
111	<b>KF3B</b>		903848		1282311	2186159
112	<b>N2CQ</b>	139092	914928		1117156	2171176
113	<b>KW3Z</b>			946183	1190136	2136319
114	<b>W3PAR</b>			946183	1190136	2136319
115	<b>WB4FDT</b>	892732			1190136	2082868
116	<b>NW3Y</b>	892732			1190136	2082868
117	<b>W2YR</b>	951626	1092427			2044053
118	<b>K3WU</b>				1917824	1917824
119	<b>N2AU</b>		1917257			1917257
120	<b>W3GK</b>	325040	348244		1214212	1887496
121	<b>K2SB</b>		408100	466455	981189	1855744
122	<b>N3KW</b>		892732		946183	1838915
123	<b>WK2W</b>			423224	1381289	1804513
124	<b>K3CP</b>	637880	418860	614292	117736	1788768
125	<b>WA2MKM</b>	1771524				1771524
126	<b>W3IZ</b>	1455745	4680	54436	177612	1692473
127	<b>N3MX</b>			1157834	498860	1656694
128	<b>K2WJ</b>		878430	729715		1608145
129	<b>KD3TB</b>			1505764	62604	1568368
130	<b>NZ3G</b>	942934		605595		1548529
131	<b>NT3V</b>	942934		605595		1548529
132	<b>KD2P</b>	124844	494400	417453	466125	1502822
133	<b>W3EA</b>	1455745				1455745
134	<b>K2UT</b>	1103796			326898	1430694
135	<b>AB1P</b>	1285042				1285042
136	<b>KB3CBO</b>				1197266	1197266
137	<b>WF3M</b>			318016	861300	1179316
138	<b>K2OWE</b>			627270	493494	1120764
139	<b>KC3WX</b>			361823	748292	1110115
140	<b>N7UN</b>	1061060				1061060
141	<b>NY3C</b>	524800	501600			1026400
142	<b>W2GJ</b>			946183		946183
143	<b>K2XT</b>	686832	245230			932062
144	<b>K2RW</b>		922590			922590
145	<b>N4XU</b>				920286	920286
146	<b>W3FVT</b>	382016		373272	155952	911240
147	<b>K3OX</b>			281196	629662	910858
148	<b>W3OR</b>	892732				892732
149	<b>N3HUV</b>	892732				892732
150	<b>K3MGT</b>	892732				892732



## FRC 2001-2002 Contest Score Recap and Ranking

Rank	Call sign	CQ SSB	CQ CW	ARRL SSB	ARRL CW	Total
151	<b>N2MT</b>	886297				886297
152	<b>K3YD</b>		124020	289459	448974	862453
153	<b>K3VA</b>		211050	349965	284610	845625
154	<b>KU3X</b>	352408		310650	166470	829528
155	<b>NE9DH</b>	816014				816014
156	<b>K3BHX</b>				814080	814080
157	<b>N3KF</b>	750000				750000
158	<b>K3JLK</b>	311382		310635		622017
159	<b>W2RDS</b>			515292	100484	615776
160	<b>W3KV</b>			203344	362250	565594
161	<b>AA3JU</b>	334124	219180			553304
162	<b>K3XC</b>			540804		540804
163	<b>N3QQ</b>		530348			530348
164	<b>W3BEN</b>	223824	19808	55124	117180	415936
165	<b>KB3TS</b>	355368				355368
166	<b>KQ2O</b>		354640			354640
167	<b>WA3RHW</b>	339716				339716
168	<b>AD3Z</b>	334490				334490
169	<b>WQ3E</b>				274050	274050
170	<b>W3BG</b>	17072	193765	27284		238121
171	<b>AB2E</b>			180600		180600
172	<b>N9GG</b>	32421	37604	41001	27000	138026
173	<b>NU2W</b>			113436		113436
175	<b>NZ3O</b>	50530	15435	32385	2700	101050
176	<b>N2VM</b>	16124	30738	44688		91550
177	<b>N3EA</b>		79862			79862
178	<b>K3CC</b>		7244		62856	70100
179	<b>N3RW</b>	66950				66950
180	<b>K3NL</b>	32720				32720
181	<b>K2SWZ</b>	10976		13536	4800	29312

### FRC Contest DXpeditions

#### CQWW CW

Bud, **AA3B**, is planning to return to V2 (as **V26B**?)

#### SCHEDULE IT NOW!

#### CQWW

**SSB: October 26-27, 2002**

**CW: November 23-24, 2002**

(Unlike most years, the CW test is the weekend BEFORE Thanksgiving, not the weekend after)

### Editor's Note

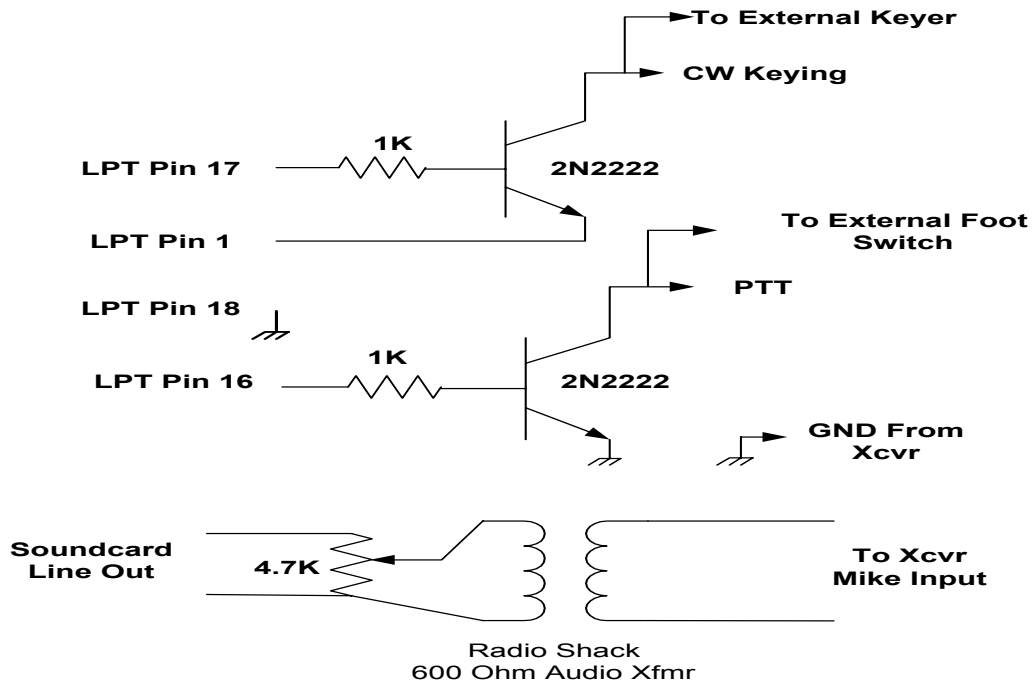
I've already listed it in two places in this newsletter, but will mention it again. I've finally taken the plunge and went with cable internet (fast!). I think the price of the modem being rebated (i.e. free) had something to do with it. As a result, my email address has changed. Please send all articles, gripes, whines, etc. to [kq3f@comcast.net](mailto:kq3f@comcast.net).

Other than that, see you in the PA QSO party (don't forget to work **W3FRC** early and often) and CQWW SSB.

*73, Joe KQ3F*

## Writelog Interface By K3ZV

Several members have asked me to describe the simple interface that I use for interfacing Writelog into my station. I use the soundcard in the PC as a voice keyer with Writelog. The following schematic illustrates the circuit:



The transistors can be a 2N2222 or any NPN transistor. I have built these in metal and plastic enclosures with equal success.

I use 5 pin DIN jacks and plugs for the connection to the cable to the PC's LPT port and to the cable to the mic jack on the radio. The jacks for the CW key line to the radio, external CW keyer, and foot switch are open circuit 1/8<sup>th</sup> inch jacks. The sound card line in connection uses a 1/8<sup>th</sup> inch stereo jack. The PTT connection to the radio goes out on the 5 pin DIN jack to the mic on the radio.

My headset mike connection plugs into the mic input of the soundcard and stays there. This allows me to record messages on the fly. When not sending a voice message, the audio from the mic is sent out the line out of the soundcard. When I send a voice message using a function key, Writelog mutes the mic line, sends the message to the line out jack, and then unmutes the mic when the message is finished.

This is a simple circuit that is easily built in a few hours. Not only will this work with SSB & CW but you can use the same interface for PSK31 and AFSK RTTY using Writelog and other programs.



# N2SS For ATLANTIC DIVISION DIRECTOR

**I am soliciting your vote and your support.**

If you are an ARRL member in the Atlantic Division, sometime this month you'll be receiving a ballot in the mail. Your mail ballot will be for the purpose of casting a vote for the position of Director. The current Vice-Director was unchallenged so there is no selection to be made for that position.

The ballot mailing will include my candidate's statement and that of my opponent plus the actual ballot to be returned reflecting your vote.

PLEASE BE SURE TO RETURN YOUR BALLOT.

Running against an incumbent, even though in this case he was appointed, not elected, is always a daunting challenge. Not only because of the resources available to the incumbent but also because there are many, who not knowing either candidate, simply vote for the incumbent.

In addition to your vote, your support in getting my message out to your amateur friends and colleagues who are not FRCers will go a long way to help the cause. I have now contacted each of the more than 200 ARRL affiliated clubs in the division and your support will help to reinforce that effort. I have also set up a simple web page which you might want to suggest to folks that they visit. The URL is: [www.n2ss.com](http://www.n2ss.com)

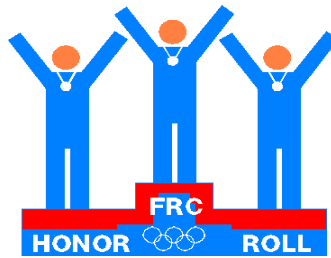
Get those ballots in as soon as you can, HQ will be tallying the votes on November 15. Many thanks for your support.

Tony N2SS  
Tel 856-227-4896  
Cell 609-221-4899  
Email [n2ss@n2ss.com](mailto:n2ss@n2ss.com)



# N2SS For ATLANTIC DIVISION DIRECTOR





**OCTOBER**

**CONDUCTED BY N2SS**

**2002**

**WARC BANDS**

<u>30 Meters</u>	<u>17 Meters</u>	<u>12 Meters</u>
<b>K2FL .. 325</b>	<b>K2FL...333</b>	<b>N2TK ..325</b>
N2TK..... 324	N2TK..... 331	K2FL..... 324
N2LT..... 308	K2JLA..... 328	N2LT..... 314
K2RW..... 284	N2LT..... 327	W3BGN... 301
W3BGN... 284	W3CF..... 323	K2RW..... 290
W8FJ..... 284	K2RW..... 318	N2SS..... 289
K2PS..... 270	W3BGN... 315	K2JLA..... 284
W2YC..... 266	N2SS..... 311	W3SOH... 265
WA2VYA. 259	WA2VYA. 286	K2PS..... 257
N2SS..... 256	W8FJ..... 286	W2YC..... 254
K2JLA..... 237	K2PS..... 284	WA2VYA. 252
K3II..... 222	W2YC..... 283	WT3W..... 246
W3SOH... 218	W3SOH... 265	KS3F..... 232
W2LE..... 205	WT3W..... 259	W8FJ..... 222
KS3F..... 178	W3OV..... 234	N1RK..... 200
K2BU..... 175	K3II..... 233	K3II..... 195
AA2WN... 164	N1RK..... 231	W3CF..... 192
WT3W..... 151	KQ3F..... 217	KQ3F..... 172
W3OV..... 150	KS3F..... 215	W2YR..... 171
W2YR..... 120	W2LE..... 196	W2LE..... 161
K2JF..... 111	W2YR..... 188	W3OV..... 160
AB2E..... 104	K2JF..... 168	K2NJ..... 141
NA2U..... 103	NA2U..... 155	NA2U..... 138
KQ3F..... 96	K2NJ..... 137	K2JF..... 135
K2NJ..... 90	K3ND..... 110	WT3P..... 127
N2VW..... 67	WT3P..... 106	AB2E..... 72
K2WJ..... 28	AA2WN... 102	K3GYS... 30
W3CF..... 27	K3GYS... 83	N2VW..... 25
N2MT..... 15	AB2E..... 80	AA2WN... 19
K3GYS..... 8	N2VW..... 63	K2WJ..... 17
N1RK..... 3	K2WJ..... 40	N2MT..... 6
KB3FEE... 1	N2MT..... 26	KB3FEE... 3

Still looking for that undisputed  
**KING OF WARC**

**Rules for FRC Honor Roll Listings.**

Provide me with your total IOTAs worked, or countries (including deleted) worked for: WARC Bands, 160 Meters, Digital modes, Mobile, 6 Meters or your total for 80,40,20, 15 and 10 for 1.5K Club. Countries do not count until HQ Awards Committee takes action and announces a start date for a new country.



160 Meters



<b>W3BGN .....289</b>	WT3W..... 125
AA1K..... 279	K2PS..... 101
K2BU..... 260	K2RW..... 89
WT3Q..... 245	W2YR..... 80
N2TK..... 237	N2VW..... 74
N2LT..... 232	NA2U..... 73
K3NW..... 228	W3CF..... 69
K3SX..... 210	N2SS..... 67
W8FJ..... 188	K3NL..... 62
K3NZ..... 168	K2NJ..... 59
K3JJG..... 165	K2JLA..... 35
W3OV..... 163	KB3FEE... 38
NO2R..... 159	N1RK..... 37
N3RS..... 156	KQ3F..... 34
K3II..... 149	W2LE..... 27
W2YC..... 144	AA2WN... 25
WA2VYA... 144	K2JF..... 20
K3NM..... 140	N2MT..... 14
K2FL..... 135	K3GYS..... 12
K3ND..... 133	W3SOH... 12
KS3F..... 129	K2WJ..... 3

W3BGN continues as the undisputed  
Top of Top Band.



**Digital**

<b>W2UP.....332</b>	W2LE..... 81
N2LT..... 325	K2JF..... 57
K2PS..... 261	WA2VYA... 50
W3SB..... 245	N1RK..... 42
K2RW..... 231	N2SS..... 42
K2NJ..... 196	N2MR..... 28
W2YC..... 184	KQ3F..... 23
AA2WN... 162	K3GYS..... 15
WT3W..... 151	K2WJ..... 12
WT3P..... 133	W8FJ..... 12
W2YR..... 121	N2VW..... 7
W3CF..... 100	



**MOBILE DX**

<b>W2YC .....272</b>	K3GYS..... 142
AA1K..... 247	AA2WN... 131
N2SS..... 234	WT3Q..... 107
N2MR..... 180	KB3FEE... 48
K2JF..... 150	W2YR..... 21



**1.5K Club**

<b>K2FL..... 1703</b>	KQ3F..... 1384
<b>W3BGN ..... 1685</b>	K2NJ..... 1379
<b>N2TK..... 1679</b>	WT3W..... 1361
<b>N2LT..... 1658</b>	W3SOH... 1377
<b>W2UP ..... 1637</b>	K2JF..... 1350
<b>K2RW..... 1581</b>	AA2WN... 1295
<b>W8FJ..... 1577</b>	NA2U..... 1295
<b>N3RS..... 1559</b>	N1RK..... 1251
<b>K2BU..... 1550</b>	N2VW..... 1240
<b>N2SS ..... 1501</b>	WT3Q..... 1162
K2PS..... 1498	K2WJ..... 1161
K3ND..... 1488	W2LE..... 1115
W2YC..... 1481	W2YR..... 1110
NO2R..... 1462	K3NM..... 1107
K2JLA..... 1428	W3CF..... 1077
WA2VYA... 1424	WT3P..... 1009
KS3F..... 1407	N2MT..... 719
N3RD..... 1388	KB3FEE... 231



**6 METER DXCC**

<b>K2JF .....94</b>	N1RK..... 57
K2NJ..... 90	N2SS..... 49
AA1K..... 87	K3OO..... 48
WA2VYA... 75	WT3P..... 39
K2PS..... 72	W2YC..... 6



**Islands On The Air**

<b>K2FL..... 936</b>	KS3F..... 319
K2JLA..... 854	N2VW..... 250
W3SOH... 757	K2WJ..... 223
N2SS..... 716	W2YR..... 216
W8FJ..... 530	WT3W..... 203
W2YC..... 503	W3CF..... 200
N1RK..... 473	K3GYS... 145
W2YC..... 456	KB3FEE... 23



# THE FRANKFORD RADIO CLUB NEWSLETTER

P. O. Box 431 Albury, PA 18011-0431



Affiliated Club

### In This Issue

MEETINGS

N2SS FOR DIRECTOR

FRC CQWW DXPEDITIONS

2001-2002 SCORE RECAP

WRITELOG INTERFACE

AND MORE!

**Deadline for November issue:  
Tuesday, October 29**

## The Frankford Radio Club

### Club Officers

President, <b>W3CF</b> , Doug Priest.....	215-361-9989
Vice Pres, <b>N3BNA</b> , Dale Long .....	717-626-8794
Secretary, <b>K3ZV</b> , John Lindmeier .....	215-632-2919
Treasurer, <b>K2QM</b> , Dan Marlow .....	609-683-5633

### Committee Chairman

Repeater, <b>K3NL</b> , Nick Leipold .....	610-449-8910
Packet, <b>N3RD</b> , Dave Hawes .....	610-935-2684
Activities, <b>W2OX</b> , Alex Aimette .....	215-721-1453
Awards, <b>W3IZ</b> , Norm Fusaro .....	215-795-0390
Membership, <b>K3ANS</b> , Bill Goodman .....	610-258-5063

### Newsletter & Roster

Editor, <b>KQ3F</b> , Joe Stepansky .....	717-657-9792
Email: <a href="mailto:kq3f@comcast.net">kq3f@comcast.net</a>	
Printing, <b>K3ZV</b> , John Lindmeier .....	215-632-2919

### Repeater

2 meters, 147.27/147.87  
Output PL tone, 114.8

### Home Page

[www.frc-contest.org](http://www.frc-contest.org)

### Meetings

Meetings are held on the 2nd Tuesday of each month (Sep through May) at 8 PM at the Philadelphia College of Pharmacy and Science, 43rd and Kingsessing Street, Philadelphia. Summer meetings are held at member homes (one Saturday/ Sunday per month).

### Packet Cluster Contest/DX System

144.910	N2MT
144.930	W3FRC
145.650	K2TD
144.950	KD3CN
145.530	K3WW
145.530	AA1K
145.530	K2SG
145.570	WT3Q
145.570	K2TW
145.590	N2NT
144.950	K3GYS
145.710	W3EA
145.730	N2BIM
147.495	W3MM
145.670	W3PP
441.050	W3MM
445.525	K3GYS
445.525	W3EA
445.850	N3BNA
..TBA	N3ED